

**Single-phase power packs (smoothed) assembled with
Single-phase safety isolating transformers**
acc. to VDE0570-2-6 (EN61558 /IEC61558)



Type code:

- **EK: Single-phase power pack / EI-core / smoothed**
- **EKV: Single-phase power pack / EI-core / smoothed / on reserve**

Generally:

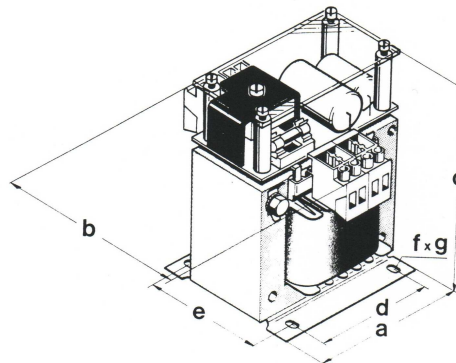
- Separated windings (isolating transformer for supply of SELV (safety extra-low voltage) - or PELV (protective extra low voltage) - circuits)
- Residual ripple < 5%
- Degree of protection IP00 (suitable for installation in enclosures up to IP20)
- Class of protection I
- Construction for pollution severity P2
- Maximum ambient temperature 40°C / Insulation class B
- Frequency 50 to 60 Hz
- Constructed for continuous operation (ED = 100 %)
- Connections on transformer terminals - shockproof according to BGV A3

Standards and basics:

- VDE0570-1 (EN61558-1 / IEC61558-1) – follow-up standard for VDE0550-1 „Safety of transformers, power packs and similar“
- VDE0570-2-6 (EN61558-2-6 / IEC61558-2-6) – follow-up standard for VDE0551 (EN60742 /IEC742) „Particular requirements for safety isolating transformers for general use“
- General technical conditions and information (see page 81-85)

- Variants of voltage:			
Types: VKV		Types: VK	
Primary: 230 V or 400 V +/- 5%	Secondary: 24 V DC	Primary: 100 - 750 V +/- 5% (voltage optionally)	Secondary: 24 DC (different voltages on request)

- EK / EKV



Nominal power in kVA = Type designation	Output current in A at 24 V DC	a in mm	b in mm	c in mm	d in mm	e in mm	f in mm	Cu.-weight in kg	Total weight in kg
0,05	1	78	70	115	56	48	4,8	0,3	1,4
0,1	2	88	95	118	64	64	4,8	0,45	2,2
0,16	3	98	100	130	84	73	5,8	0,8	3,1
0,18	4	98	115	140	84	87	5,8	0,85	3,3
0,22	5	105	115	145	84	83	5,8	0,95	3,9
0,25	6	120	95	185	90	74	5,8	1,0	4,2
0,4	7,5	120	110	185	90	85	5,8	1,4	6,1
0,5	10	120	120	185	90	104	5,8	2,0	7,3
0,63	12	150	120	220	122	90	7	2,6	8,2
0,8	15	160	130	230	122	106	7	3,2	10,7
0,9	20	160	150	220	122	126	7	3,6	11,7
1,7	30	195	170	275	150	106	10	5,8	21,6

Options (on request)

- Power packs with output current up to 30 A
- Constructed for short-time operation
- Fuses
- Power packs with reduced inrush current
- Adding a shield-winding