

Type code:

- **DTSS: Three-phase control transformers / 3UI-core / vertical**
- **DTLS: Three-phase control transformers / 3UI-core / horizontal**

Generally:

- Separated windings (separating transformers, which is intended for the supply of control circuits (e.g. control, indication,
- Degree of protection IP00 (suitable for installation in enclosures up to IP20)
- Ground connections as preparation for fitting in gears and system of class of protection I
- Dimensioning for pollution severity P2
- maximum ambient temperature 40°C / Insulation class B
- Frequency 50 to 60 Hz
- Vacuum-resin-impregnated
- Dimensioned for continuous operation (ED = 100 %)
- Connections - currents up to ca. 250 A on transformer terminals - shockproof according to VBG4
- currents higher than ca. 250 A with bolt connection – shock protection has to be ensured by installation

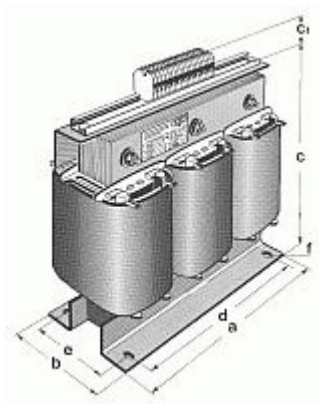
Standards and basics:

- VDE0570-1 (EN61558-1 / IEC61558-1) – follow-up standard for VDE0550-1 „Safety of transformers, power packs and the like“
- VDE0570-2-2 (EN61558-2-2 / IEC61558-2-2) – follow-up standard for VDE0550-3 „Particular requirements for control transformers“
- VDE0113 (EN60204 / IEC60204) „Electrical equipment for machines“
- General technical conditions and information

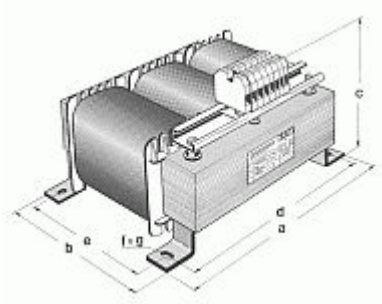


- Variants of voltage:	
Primary: 100 - 1000 V +/-5% - voltage eligible	Secondary: 43 - 1000 V - voltage eligible

-DTSS



-DTLS



Dimensions and weights															
Nominal power in kVA	Types DTSS						Types DTLS						Cu.-weight in kg / total weight in kg		
	a in mm	b in mm	c in mm	d in mm	e in mm	f in mm	a in mm	b in mm	c in mm	d in mm	e in mm	f in mm			
0,1	125	75	105	100	57	5	156	120	71	140	80	5,8	1,0	2,5	
0,2	155	80	130	130	57	8	156	125	66	140	100	5,8	1,4	4,0	

0,3	155	95	130	130	74	8	156	125	82	140	100	5,8	1,8	5,0
0,5	190	95	155	170	70	8	206	150	87	184	120	7	2,5	7,0
0,75	190	105	155	170	80	8	206	150	97	184	120	7	4,5	10,0
1,0	230	125	195	180	100	8	254	190	90	228	152	7	5,0	13,0
1,5	240	135	205	190	107	11	290	200	105	258	160	7	7,0	18,0
2,0	240	155	205	190	127	11	290	200	125	258	160	7	8,5	25,0
2,5	265	155	225	215	128	11	290	220	130	258	176	7	10,0	27,0
3,0	300	155	255	240	122	11	330	250	116	298	200	9	11,0	29,0
4,0	300	180	255	240	147	11	330	250	141	298	200	9	13,0	39,0
5,0	360	165	305	310	127	11	394	300	142	358	240	9	15,0	47,0
6,3	360	180	305	310	142	11	394	300	157	358	240	9	19,0	62,0
7,5	360	195	305	310	157	11	394	300	172	358	240	9	25,0	68,0
8,8	420	195	355	370	153	11	452	350	160	408	280	12	30,0	82,0
10,0	420	195	355	370	153	11	452	350	160	408	280	12	33,0	89,0
Dimension c1 = 60 - 100 mm							Sizes 12,5 kVA to 500 kVA see types MKD / MKDG / MKDH							

- Options (on inquiry)
- Installation in enclosure
 - Protections
 - Dimensioning for short-time duty
 - additional tapings and booster windings