

Three-phase isolating transformers acc. to VDE0570-2-4 (EN61558 /IEC61558)



Type code:

MKD: Three-phase isolating transformers / Modular design (strip lamination) / vertical

Generally:

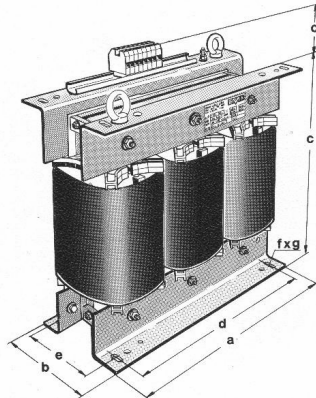
- Separated windings (transformer with protective separation between input and output windings)
- Degree of protection IP00 (suitable for installation in enclosures up to IP20)
- Ground connection as preparation for fitting in gears and systems of class of protection I
- Dimensioning for pollution severity P2
- maximum ambient temperature 40°C / Insulation class F
- Frequency 50 to 60 Hz
- Vacuum-resin-impregnated
- Dimensioned for continuous operation (ED = 100 %)
- Connections - currents up to ca. 250 A on transformer terminals - shockproof according to VBG4
- currents higher than ca. 250 A with bolt connection – shock protection has to be ensured by installation

Standards and basics:

- VDE0570-1 (EN61558-1 / IEC61558-1) – follow-up standard for VDE0551 (EN60742 / IEC742)
„Safety of transformers, power packs and the like“
- Transformers with a output voltage > 42 V
VDE0570-2-4 (EN61558-2-4 / IEC61558-2-4) – follow-up standard for VDE0551 (EN60742 / IEC742)
„Particular requirements for isolating transformers for general use“
- General technical conditions and information (see page 79)



- Variants of voltage:	
Primary: 100 - 1000 V - voltage eligible	Secondary: 43 - 1000 V - voltage eligible



Sizes, dimensions and weights for the types MKD								
Nominal power in kVA = type designation	a in mm	b in mm	c in mm	d in mm	e in mm	f in mm	Cu.-weight in kg	total weight in kg
12,5	500	235	420	450	165	12 x 50	30	90
15	500	235	420	450	165	12 x 50	40	100
17,5	500	240	420	450	170	12 x 50	44	115
20	500	240	420	450	170	12 x 50	50	130
25	560	250	490	510	180	12 x 50	53	150
30	560	250	490	510	180	12 x 50	55	165
40	560	275	560	510	205	12 x 50	63	210
50	560	275	560	510	205	12 x 50	100	280
63	750	270	630	650	180	12 x 50	120	300
75	750	295	630	650	205	12 x 50	130	340
88	750	295	630	650	205	12 x 50	140	380
100	750	340	630	650	250	12 x 50	145	420
130	750	340	630	650	250	12 x 50	190	500
160	900	300	800	740	200	18 x 40	240	590
200	900	330	800	740	230	18 x 40	270	720
250	900	380	800	740	280	18 x 40	360	900
315	1020	360	990	840	260	18 x 40	380	920
400	1020	400	990	840	300	18 x 40	400	1030
500	1020	450	990	840	350	18 x 40	450	1320

Dimension c1 = 60 - 100 mm

Options (on inquiry)

- Dimensioning for short-time duty
- Protections
- additional tappings and booster windings
- safety isolating transformers according to VDE0570-2-6 with output voltages < 43 V

